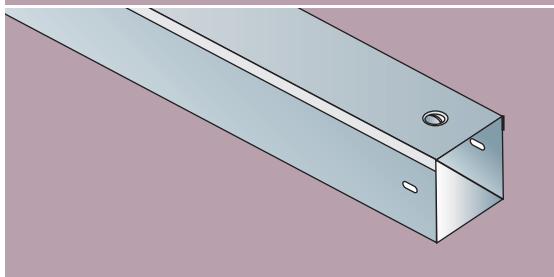
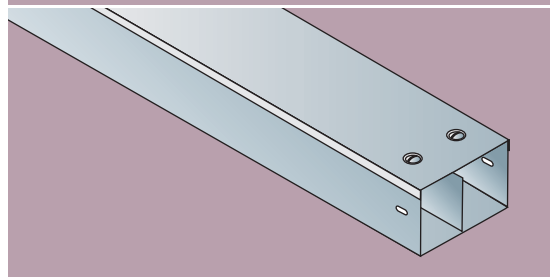


# CABLE TRUNKINGS

SINGLE COMPARTMENT



DOUBLE COMPARTMENT



## STANDARD FINISHES

**HDG** Hot Dip Galvanized to BSEN ISO 1461:1999  
(Formerly BS 729).

**PG** Pre Galvanized to BSEN 10142 & 10143.

**PC** Powder Coating to suit client requirements.

**SS** Stainless Steel finish to required grades.

Cable Trunkings are manufactured complying with BS 4678 Part1. They are manufactured in standard lengths of 2.44 mtrs and 3mtrs respectively. They can also be produced to any desired length upon request.

Cable Trunkings are manufactured with Knob Type covers (KT) and Screw Fixing covers (ST). Kindly state your preference whilst ordering. Knob Type covers (KT) are supplied with Straight Connectors and M6x10 machine screw, nut and washer.

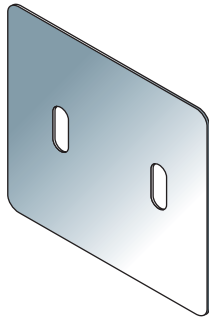
Cable Trunking accessories are produced with integral connectors. They are manufactured to a standard radius of 300mm. They can be produced in radii of 600mm & 900mm upon request.

ORDER PATTERN (mm)

SIZE			ITEM CODE		
WIDTH	HEIGHT	THK	SINGLE COMPARTMENT	DOUBLE COMPARTMENT	TRIPLE COMPARTMENT
50	50	1.0	TR 2-2	2C TR 2-2	3C TR 2-2
75	50	1.0	TR 3-2	2C TR 3-2	3C TR 3-2
75	75	1.0	TR 3-3	2C TR 3-3	3C TR 3-3
100	50	1.0	TR 4-2	2C TR 4-2	3C TR 4-2
100	50	1.2	TR 4-2	2C TR 4-2	3C TR 4-2
100	75	1.0	TR 4-3	2C TR 4-3	3C TR 4-3
100	75	1.2	TR 4-3	2C TR 4-3	3C TR 4-3
100	100	1.0	TR 4-4	2C TR 4-4	3C TR 4-4
100	100	1.2	TR 4-4	2C TR 4-4	3C TR 4-4
150	50	1.0	TR 6-2	2C TR 6-2	3C TR 6-2
150	50	1.2	TR 6-2	2C TR 6-2	3C TR 6-2
150	75	1.0	TR 6-3	2C TR 6-3	3C TR 6-3
150	75	1.2	TR 6-3	2C TR 6-3	3C TR 6-3
150	100	1.0	TR 6-4	2C TR 6-4	3C TR 6-4
150	100	1.2	TR 6-4	2C TR 6-4	3C TR 6-4
150	150	1.0	TR 6-6	2C TR 6-6	3C TR 6-6
150	150	1.2	TR 6-6	2C TR 6-6	3C TR 6-6
225	50	1.2	TR 9-2	2C TR 9-2	3C TR 9-2
225	75	1.2	TR 9-3	2C TR 9-3	3C TR 9-3
225	100	1.2	TR 9-4	2C TR 9-4	3C TR 9-4
225	150	1.2	TR 9-6	2C TR 9-6	3C TR 9-6
225	225	1.2	TR 9-9	2C TR 9-9	3C TR 9-9
300	50	1.2	TR 12-2	2C TR 12-2	3C TR 12-2
300	75	1.2	TR 12-3	2C TR 12-3	3C TR 12-3
300	100	1.2	TR 12-4	2C TR 12-4	3C TR 12-4
300	150	1.5	TR 12-6	2C TR 12-6	3C TR 12-6
300	225	1.5	TR 12-9	2C TR 12-9	3C TR 12-9
300	300	1.5	TR 12-12	2C TR 12-12	3C TR 12-12

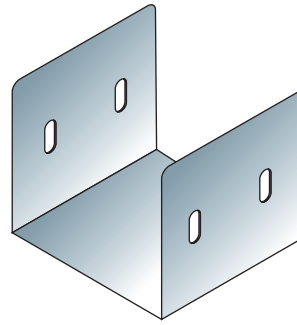
**Note:** Request for any special sizes, gauges and flanges can be attended by our qualified team.  
Please mention the corresponding thickness with the item code.

## CONNECTOR



### STRAIGHT CONNECTOR

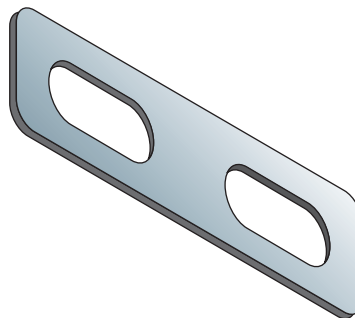
ORDER PATTERN (mm)			
SIZE			ITEM CODE
WIDTH	HEIGHT	THK	
50	50	1.2	TR SC 2-2
75	50	1.2	TR SC 3-2
75	75	1.2	TR SC 3-3
100	50	1.2	TR SC 4-2
100	75	1.2	TR SC 4-3
100	100	1.2	TR SC 4-4
150	50	1.2	TR SC 6-2
150	75	1.2	TR SC 6-3
150	100	1.2	TR SC 6-4
150	150	1.2	TR SC 6-6
225	50	1.5	TR SC 9-2
225	75	1.5	TR SC 9-3
225	100	1.5	TR SC 9-4
225	150	1.5	TR SC 9-6
225	225	1.5	TR SC 9-9
300	50	1.5	TR SC 12-2
300	75	1.5	TR SC 12-3
300	100	1.5	TR SC 12-4
300	150	1.5	TR SC 12-6
300	225	1.5	TR SC 12-9
300	300	1.5	TR SC 12-12



### U - CONNECTOR

ORDER PATTERN (mm)			
SIZE			ITEM CODE
WIDTH	HEIGHT	THK	
50	50	1.2	TR UC 2-2
75	50	1.2	TR UC 3-2
75	75	1.2	TR UC 3-3
100	50	1.2	TR UC 4-2
100	75	1.2	TR UC 4-3
100	100	1.2	TR UC 4-4
150	50	1.2	TR UC 6-2
150	75	1.2	TR UC 6-3
150	100	1.2	TR UC 6-4
150	150	1.2	TR UC 6-6
225	50	1.5	TR UC 9-2
225	75	1.5	TR UC 9-3
225	100	1.5	TR UC 9-4
225	150	1.5	TR UC 9-6
225	225	1.5	TR UC 9-9
300	50	1.5	TR UC12-2
300	75	1.5	TR UC 12-3
300	100	1.5	TR UC 12-4
300	150	1.5	TR UC 12-6
300	225	1.5	TR UC 12-9
300	300	1.5	TR UC 12-12

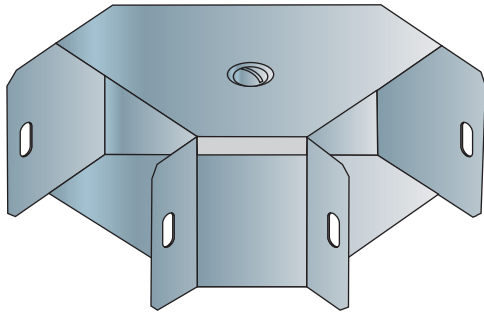
## BONDING JUMPER



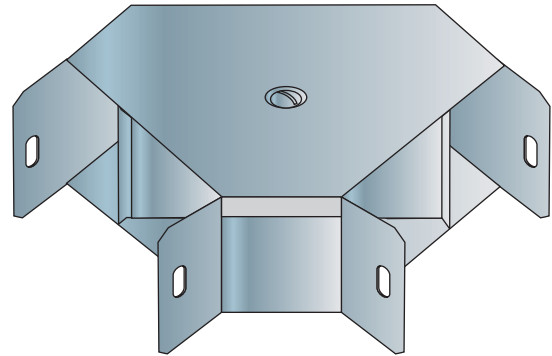
ITEM CODE : TR BJ

**Note:** Request for any special sizes, gauges and flanges can be attended by our qualified team.  
Please mention the corresponding thickness with the item code.

## 90° BEND TOP COVER



SINGLE COMPARTMENT



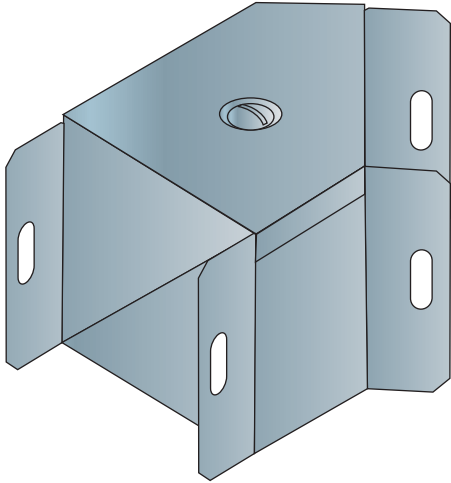
DOUBLE COMPARTMENT

### ORDER PATTERN (mm)

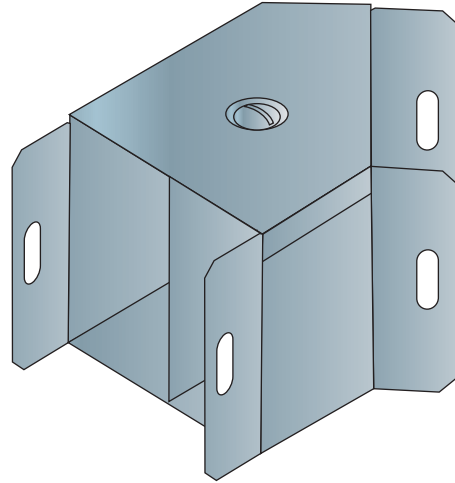
SIZE			ITEM CODE		
WIDTH	HEIGHT	THK	SINGLE COMPARTMENT	DOUBLE COMPARTMENT	TRIPLE COMPARTMENT
50	50	1.0	TR 90BTC 2-2	2C TR 90BTC 2-2	3C TR 90BTC 2-2
75	50	1.0	TR 90BTC 3-2	2C TR 90BTC 3-2	3C TR 90BTC 3-2
75	75	1.0	TR 90BTC 3-3	2C TR 90BTC 3-3	3C TR 90BTC 3-3
100	50	1.0	TR 90BTC 4-2	2C TR 90BTC 4-2	3C TR 90BTC 4-2
100	50	1.2	TR 90BTC 4-2	2C TR 90BTC 4-2	3C TR 90BTC 4-2
100	75	1.0	TR 90BTC 4-3	2C TR 90BTC 4-3	3C TR 90BTC 4-3
100	75	1.2	TR 90BTC 4-3	2C TR 90BTC 4-3	3C TR 90BTC 4-3
100	100	1.0	TR 90BTC 4-4	2C TR 90BTC 4-4	3C TR 90BTC 4-4
100	100	1.2	TR 90BTC 4-4	2C TR 90BTC 4-4	3C TR 90BTC 4-4
150	50	1.0	TR 90BTC 6-2	2C TR 90BTC 6-2	3C TR 90BTC 6-2
150	50	1.2	TR 90BTC 6-2	2C TR 90BTC 6-2	3C TR 90BTC 6-2
150	75	1.0	TR 90BTC 6-3	2C TR 90BTC 6-3	3C TR 90BTC 6-3
150	75	1.2	TR 90BTC 6-3	2C TR 90BTC 6-3	3C TR 90BTC 6-3
150	100	1.0	TR 90BTC 6-4	2C TR 90BTC 6-4	3C TR 90BTC 6-4
150	100	1.2	TR 90BTC 6-4	2C TR 90BTC 6-4	3C TR 90BTC 6-4
150	150	1.0	TR 90BTC 6-6	2C TR 90BTC 6-6	3C TR 90BTC 6-6
150	150	1.2	TR 90BTC 6-6	2C TR 90BTC 6-6	3C TR 90BTC 6-6
225	50	1.2	TR 90BTC 9-2	2C TR 90BTC 9-2	3C TR 90BTC 9-2
225	75	1.2	TR 90BTC 9-3	2C TR 90BTC 9-3	3C TR 90BTC 9-3
225	100	1.2	TR 90BTC 9-4	2C TR 90BTC 9-4	3C TR 90BTC 9-4
225	150	1.2	TR 90BTC 9-6	2C TR 90BTC 9-6	3C TR 90BTC 9-6
225	225	1.2	TR 90BTC 9-9	2C TR 90BTC 9-9	3C TR 90BTC 9-9
300	50	1.2	TR 90BTC 12-2	2C TR 90BTC 12-2	3C TR 90BTC 12-2
300	75	1.2	TR 90BTC 12-3	2C TR 90BTC 12-3	3C TR 90BTC 12-3
300	100	1.2	TR 90BTC 12-4	2C TR 90BTC 12-4	3C TR 90BTC 12-4
300	150	1.2	TR 90BTC 12-6	2C TR 90BTC 12-6	3C TR 90BTC 12-6
300	225	1.2	TR 90BTC 12-9	2C TR 90BTC 12-9	3C TR 90BTC 12-9
300	300	1.2	TR 90BTC 12-12	2C TR 90BTC 12-12	3C TR 90BTC 12-12

**Note:** Request for any special sizes, gauges and flanges can be attended by our qualified team.  
Please mention the corresponding thickness with the item code.

## 45° BEND TOP COVER



SINGLE COMPARTMENT

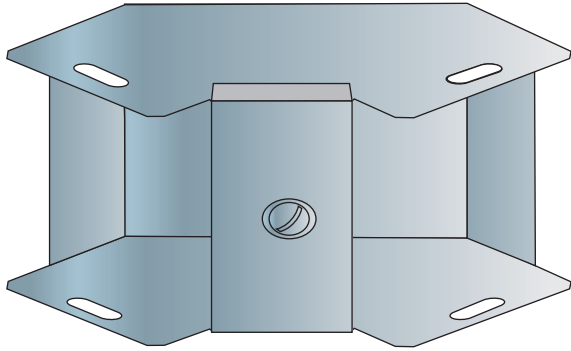


DOUBLE COMPARTMENT

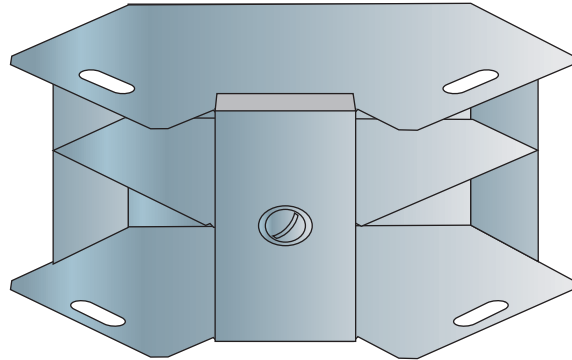
SIZE			ORDER PATTERN (mm)		
WIDTH	HEIGHT	THK	ITEM CODE		
			SINGLE COMPARTMENT	DOUBLE COMPARTMENT	TRIPLE COMPARTMENT
50	50	1.0	TR 45BTC 2-2	2C TR 45BTC 2-2	3C TR 45BTC 2-2
75	50	1.0	TR 45BTC 3-2	2C TR 45BTC 3-2	3C TR 45BTC 3-2
75	75	1.0	TR 45BTC 3-3	2C TR 45BTC 3-3	3C TR 45BTC 3-3
100	50	1.0	TR 45BTC 4-2	2C TR 45BTC 4-2	3C TR 45BTC 4-2
100	50	1.2	TR 45BTC 4-2	2C TR 45BTC 4-2	3C TR 45BTC 4-2
100	75	1.0	TR 45BTC 4-3	2C TR 45BTC 4-3	3C TR 45BTC 4-3
100	75	1.2	TR 45BTC 4-3	2C TR 45BTC 4-3	3C TR 45BTC 4-3
100	100	1.0	TR 45BTC 4-4	2C TR 45BTC 4-4	3C TR 45BTC 4-4
100	100	1.2	TR 45BTC 4-4	2C TR 45BTC 4-4	3C TR 45BTC 4-4
150	50	1.0	TR 45BTC 6-2	2C TR 45BTC 6-2	3C TR 45BTC 6-2
150	50	1.2	TR 45BTC 6-2	2C TR 45BTC 6-2	3C TR 45BTC 6-2
150	75	1.0	TR 45BTC 6-3	2C TR 45BTC 6-3	3C TR 45BTC 6-3
150	75	1.2	TR 45BTC 6-3	2C TR 45BTC 6-3	3C TR 45BTC 6-3
150	100	1.0	TR 45BTC 6-4	2C TR 45BTC 6-4	3C TR 45BTC 6-4
150	100	1.2	TR 45BTC 6-4	2C TR 45BTC 6-4	3C TR 45BTC 6-4
150	150	1.0	TR 45BTC 6-6	2C TR 45BTC 6-6	3C TR 45BTC 6-6
150	150	1.2	TR 45BTC 6-6	2C TR 45BTC 6-6	3C TR 45BTC 6-6
225	50	1.2	TR 45BTC 9-2	2C TR 45BTC 9-2	3C TR 45BTC 9-2
225	75	1.2	TR 45BTC 9-3	2C TR 45BTC 9-3	3C TR 45BTC 9-3
225	100	1.2	TR 45BTC 9-4	2C TR 45BTC 9-4	3C TR 45BTC 9-4
225	150	1.2	TR 45BTC 9-6	2C TR 45BTC 9-6	3C TR 45BTC 9-6
225	225	1.2	TR 45BTC 9-9	2C TR 45BTC 9-9	3C TR 45BTC 9-9
300	50	1.2	TR 45BTC 12-2	2C TR 45BTC 12-2	3C TR 45BTC 12-2
300	75	1.2	TR 45BTC 12-3	2C TR 45BTC 12-3	3C TR 45BTC 12-3
300	100	1.2	TR 45BTC 12-4	2C TR 45BTC 12-4	3C TR 45BTC 12-4
300	150	1.2	TR 45BTC 12-6	2C TR 45BTC 12-6	3C TR 45BTC 12-6
300	225	1.2	TR 45BTC 12-9	2C TR 45BTC 12-9	3C TR 45BTC 12-9
300	300	1.2	TR 45BTC 12-12	2C TR 45BTC 12-12	3C TR 45BTC 12-12

**Note:** Request for any special sizes, gauges and flanges can be attended by our qualified team.  
Please mention the corresponding thickness with the item code.

## 90° BEND INSIDE COVER



SINGLE COMPARTMENT

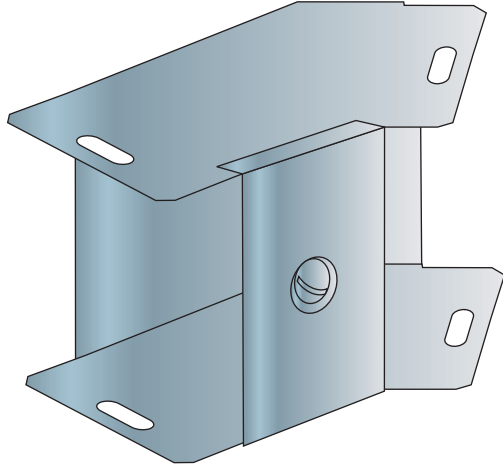


DOUBLE COMPARTMENT

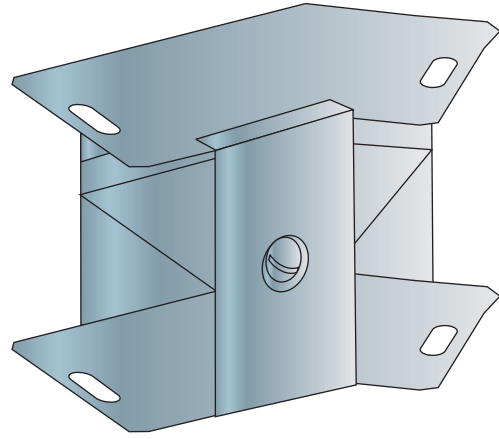
SIZE			ORDER PATTERN (mm)		
WIDTH	HEIGHT	THK	ITEM CODE		
			SINGLE COMPARTMENT	DOUBLE COMPARTMENT	TRIPLE COMPARTMENT
50	50	1.0	TR 90BIC 2-2	2C TR 90BIC 2-2	3C TR 90BIC 2-2
75	50	1.0	TR 90BIC 3-2	2C TR 90BIC 3-2	3C TR 90BIC 3-2
75	75	1.0	TR 90BIC 3-3	2C TR 90BIC 3-3	3C TR 90BIC 3-3
100	50	1.0	TR 90BIC 4-2	2C TR 90BIC 4-2	3C TR 90BIC 4-2
100	50	1.2	TR 90BIC 4-2	2C TR 90BIC 4-2	3C TR 90BIC 4-2
100	75	1.0	TR 90BIC 4-3	2C TR 90BIC 4-3	3C TR 90BIC 4-3
100	75	1.2	TR 90BIC 4-3	2C TR 90BIC 4-3	3C TR 90BIC 4-3
100	100	1.0	TR 90BIC 4-4	2C TR 90BIC 4-4	3C TR 90BIC 4-4
100	100	1.2	TR 90BIC 4-4	2C TR 90BIC 4-4	3C TR 90BIC 4-4
150	50	1.0	TR 90BIC 6-2	2C TR 90BIC 6-2	3C TR 90BIC 6-2
150	50	1.2	TR 90BIC 6-2	2C TR 90BIC 6-2	3C TR 90BIC 6-2
150	75	1.0	TR 90BIC 6-3	2C TR 90BIC 6-3	3C TR 90BIC 6-3
150	75	1.2	TR 90BIC 6-3	2C TR 90BIC 6-3	3C TR 90BIC 6-3
150	100	1.0	TR 90BIC 6-4	2C TR 90BIC 6-4	3C TR 90BIC 6-4
150	100	1.2	TR 90BIC 6-4	2C TR 90BIC 6-4	3C TR 90BIC 6-4
150	150	1.0	TR 90BIC 6-6	2C TR 90BIC 6-6	3C TR 90BIC 6-6
150	150	1.2	TR 90BIC 6-6	2C TR 90BIC 6-6	3C TR 90BIC 6-6
225	50	1.2	TR 90BIC 9-2	2C TR 90BIC 9-2	3C TR 90BIC 9-2
225	75	1.2	TR 90BIC 9-3	2C TR 90BIC 9-3	3C TR 90BIC 9-3
225	100	1.2	TR 90BIC 9-4	2C TR 90BIC 9-4	3C TR 90BIC 9-4
225	150	1.2	TR 90BIC 9-6	2C TR 90BIC 9-6	3C TR 90BIC 9-6
225	225	1.2	TR 90BIC 9-9	2C TR 90BIC 9-9	3C TR 90BIC 9-9
300	50	1.2	TR 90BIC 12-2	2C TR 90BIC 12-2	3C TR 90BIC 12-2
300	75	1.2	TR 90BIC 12-3	2C TR 90BIC 12-3	3C TR 90BIC 12-3
300	100	1.2	TR 90BIC 12-4	2C TR 90BIC 12-4	3C TR 90BIC 12-4
300	150	1.2	TR 90BIC 12-6	2C TR 90BIC 12-6	3C TR 90BIC 12-6
300	225	1.2	TR 90BIC 12-9	2C TR 90BIC 12-9	3C TR 90BIC 12-9
300	300	1.2	TR 90BIC 12-12	2C TR 90BIC 12-12	3C TR 90BIC 12-12

**Note:** Request for any special sizes, gauges and flanges can be attended by our qualified team.  
Please mention the corresponding thickness with the item code.

## 45° BEND INSIDE COVER



SINGLE COMPARTMENT



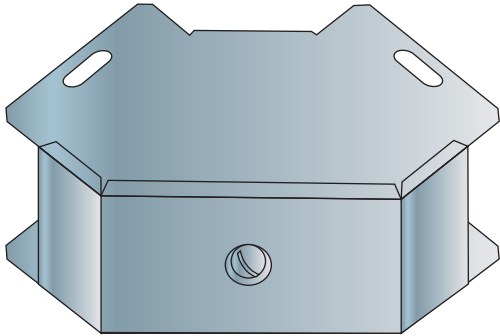
DOUBLE COMPARTMENT

### ORDER PATTERN (mm)

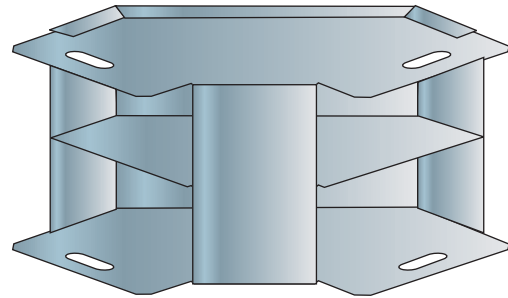
ITEM CODE			ITEM CODE		
WIDTH	HEIGHT	THK	SINGLE COMPARTMENT	DOUBLE COMPARTMENT	TRIPLE COMPARTMENT
50	50	1.0	TR 45BIC 2-2	2C TR 45BIC 2-2	3C TR 45BIC 2-2
75	50	1.0	TR 45BIC 3-2	2C TR 45BIC 3-2	3C TR 45BIC 3-2
75	75	1.0	TR 45BIC 3-3	2C TR 45BIC 3-3	3C TR 45BIC 3-3
100	50	1.0	TR 45BIC 4-2	2C TR 45BIC 4-2	3C TR 45BIC 4-2
100	50	1.2	TR 45BIC 4-2	2C TR 45BIC 4-2	3C TR 45BIC 4-2
100	75	1.0	TR 45BIC 4-3	2C TR 45BIC 4-3	3C TR 45BIC 4-3
100	75	1.2	TR 45BIC 4-3	2C TR 45BIC 4-3	3C TR 45BIC 4-3
100	100	1.0	TR 45BIC 4-4	2C TR 45BIC 4-4	3C TR 45BIC 4-4
100	100	1.2	TR 45BIC 4-4	2C TR 45BIC 4-4	3C TR 45BIC 4-4
150	50	1.0	TR 45BIC 6-2	2C TR 45BIC 6-2	3C TR 45BIC 6-2
150	50	1.2	TR 45BIC 6-2	2C TR 45BIC 6-2	3C TR 45BIC 6-2
150	75	1.0	TR 45BIC 6-3	2C TR 45BIC 6-3	3C TR 45BIC 6-3
150	75	1.2	TR 45BIC 6-3	2C TR 45BIC 6-3	3C TR 45BIC 6-3
150	100	1.0	TR 45BIC 6-4	2C TR 45BIC 6-4	3C TR 45BIC 6-4
150	100	1.2	TR 45BIC 6-4	2C TR 45BIC 6-4	3C TR 45BIC 6-4
150	150	1.0	TR 45BIC 6-6	2C TR 45BIC 6-6	3C TR 45BIC 6-6
150	150	1.2	TR 45BIC 6-6	2C TR 45BIC 6-6	3C TR 45BIC 6-6
225	50	1.2	TR 45BIC 9-2	2C TR 45BIC 9-2	3C TR 45BIC 9-2
225	75	1.2	TR 45BIC 9-3	2C TR 45BIC 9-3	3C TR 45BIC 9-3
225	100	1.2	TR 45BIC 9-4	2C TR 45BIC 9-4	3C TR 45BIC 9-4
225	150	1.2	TR 45BIC 9-6	2C TR 45BIC 9-6	3C TR 45BIC 9-6
225	225	1.2	TR 45BIC 9-9	2C TR 45BIC 9-9	3C TR 45BIC 9-9
300	50	1.2	TR 45BIC 12-2	2C TR 45BIC 12-2	3C TR 45BIC 12-2
300	75	1.2	TR 45BIC 12-3	2C TR 45BIC 12-3	3C TR 45BIC 12-3
300	100	1.2	TR 45BIC 12-4	2C TR 45BIC 12-4	3C TR 45BIC 12-4
300	150	1.2	TR 45BIC 12-6	2C TR 45BIC 12-6	3C TR 45BIC 12-6
300	225	1.2	TR 45BIC 12-9	2C TR 45BIC 12-9	3C TR 45BIC 12-9
300	300	1.2	TR 45BIC 12-12	2C TR 45BIC 12-12	3C TR 45BIC 12-12

**Note:** Request for any special sizes, gauges and flanges can be attended by our qualified team.  
Please mention the corresponding thickness with the item code.

## 90° BEND OUTSIDE COVER



SINGLE COMPARTMENT

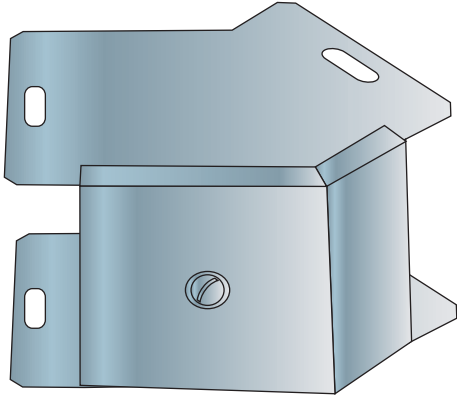


DOUBLE COMPARTMENT

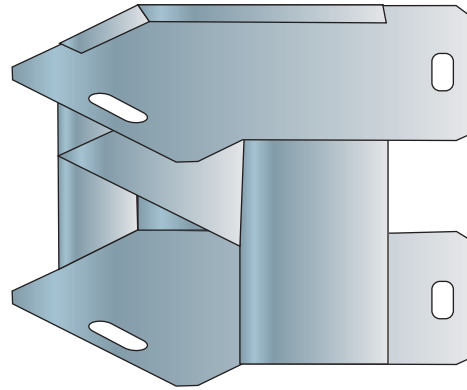
ORDER PATTERN (mm)					
SIZE			ITEM CODE		
WIDTH	HEIGHT	THK	SINGLE COMPARTMENT	DOUBLE COMPARTMENT	TRIPLE COMPARTMENT
50	50	1.0	TR 90BOC 2-2	2C TR 90BOC 2-2	3C TR 90BOC 2-2
75	50	1.0	TR 90BOC 3-2	2C TR 90BOC 3-2	3C TR 90BOC 3-2
75	75	1.0	TR 90BOC 3-3	2C TR 90BOC 3-3	3C TR 90BOC 3-3
100	50	1.0	TR 90BOC 4-2	2C TR 90BOC 4-2	3C TR 90BOC 4-2
100	50	1.2	TR 90BOC 4-2	2C TR 90BOC 4-2	3C TR 90BOC 4-2
100	75	1.0	TR 90BOC 4-3	2C TR 90BOC 4-3	3C TR 90BOC 4-3
100	75	1.2	TR 90BOC 4-3	2C TR 90BOC 4-3	3C TR 90BOC 4-3
100	100	1.0	TR 90BOC 4-4	2C TR 90BOC 4-4	3C TR 90BOC 4-4
100	100	1.2	TR 90BOC 4-4	2C TR 90BOC 4-4	3C TR 90BOC 4-4
150	50	1.0	TR 90BOC 6-2	2C TR 90BOC 6-2	3C TR 90BOC 6-2
150	50	1.2	TR 90BOC 6-2	2C TR 90BOC 6-2	3C TR 90BOC 6-2
150	75	1.0	TR 90BOC 6-3	2C TR 90BOC 6-3	3C TR 90BOC 6-3
150	75	1.2	TR 90BOC 6-3	2C TR 90BOC 6-3	3C TR 90BOC 6-3
150	100	1.0	TR 90BOC 6-4	2C TR 90BOC 6-4	3C TR 90BOC 6-4
150	100	1.2	TR 90BOC 6-4	2C TR 90BOC 4-4	3C TR 90BOC 4-4
150	150	1.0	TR 90BOC 6-6	2C TR 90BOC 6-6	3C TR 90BOC 6-6
150	150	1.2	TR 90BOC 6-6	2C TR 90BOC 6-6	3C TR 90BOC 6-6
225	50	1.2	TR 90BOC 9-2	2C TR 90BOC 9-2	3C TR 90BOC 9-2
225	75	1.2	TR 90BOC 9-3	2C TR 90BOC 9-3	3C TR 90BOC 9-3
225	100	1.2	TR 90BOC 9-4	2C TR 90BOC 9-4	3C TR 90BOC 9-4
225	150	1.2	TR 90BOC 9-6	2C TR 90BOC 9-6	3C TR 90BOC 9-6
225	225	1.2	TR 90BOC 9-9	2C TR 90BOC 9-9	3C TR 90BOC 9-9
300	50	1.2	TR 90BOC 12-2	2C TR 90BOC 12-2	3C TR 90BOC 12-2
300	75	1.2	TR 90BOC 12-3	2C TR 90BOC 12-3	3C TR 90BOC 12-3
300	100	1.2	TR 90BOC 12-4	2C TR 90BOC 12-4	3C TR 90BOC 12-4
300	150	1.2	TR 90BOC 12-6	2C TR 90BOC 12-6	3C TR 90BOC 12-6
300	225	1.2	TR 90BOC 12-9	2C TR 90BOC 12-9	3C TR 90BOC 12-9
300	300	1.2	TR 90BOC 12-12	2C TR 90BOC 12-12	3C TR 90BOC 12-12

**Note:** Request for any special sizes, gauges and flanges can be attended by our qualified team.  
Please mention the corresponding thickness with the item code.

## 45° BEND OUTSIDE COVER



SINGLE COMPARTMENT



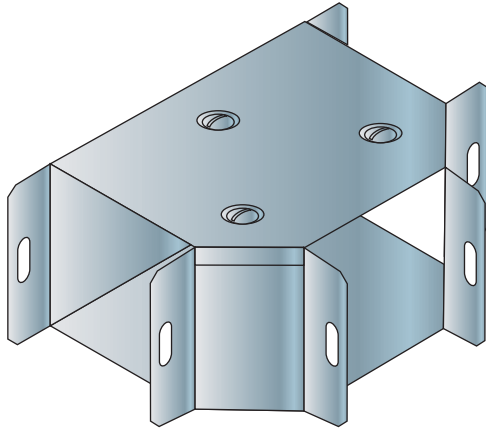
DOUBLE COMPARTMENT

ORDER PATTERN (mm)						
SIZE			ITEM CODE			
WIDTH	HEIGHT	THK	SINGLE COMPARTMENT	DOUBLE COMPARTMENT	TRIPLE COMPARTMENT	
50	50	1.0	TR 45BOC 2-2	2C TR 45BOC 2-2	3C TR 45BOC 2-2	
75	50	1.0	TR 45BOC 3-2	2C TR 45BOC 3-2	3C TR 45BOC 3-2	
75	75	1.0	TR 45 BOC 3-3	2C TR 45BOC 3-3	3C TR 45BOC 3-3	
100	50	1.0	TR 45BOC 4-2	2C TR 45BOC 4-2	3C TR 45BOC 4-2	
100	50	1.2	TR 45BOC 4-2	2C TR 45BOC 4-2	3C TR 45BOC 4-2	
100	75	1.0	TR 45BOC 4-3	2C TR 45BOC 4-3	3C TR 45BOC 4-3	
100	75	1.2	TR 45BOC 4-3	2C TR 45BOC 4-3	3C TR 45BOC 4-3	
100	100	1.0	TR 45BOC 4-4	2C TR 45BOC 4-4	3C TR 45BOC 4-4	
100	100	1.2	TR 45BOC 4-4	2C TR 45BOC 4-4	3C TR 45BOC 4-4	
150	50	1.0	TR 45BOC 6-2	2C TR 45BOC 6-2	3C TR 45BOC 6-2	
150	50	1.2	TR 45BOC 6-2	2C TR 45BOC 6-2	3C TR 45BOC 6-2	
150	75	1.0	TR 45BOC 6-3	2C TR 45BOC 6-3	3C TR 45BOC 6-3	
150	75	1.2	TR 45BOC 6-3	2C TR 45BOC 6-3	3C TR 45BOC 6-3	
150	100	1.0	TR 45BOC 6-4	2C TR 45BOC 6-4	3C TR 45BOC 6-4	
150	100	1.2	TR 45BOC 6-4	2C TR 45BOC 6-4	3C TR 45BOC 6-4	
150	150	1.0	TR 45BOC 6-6	2C TR 45BOC 6-6	3C TR 45BOC 6-6	
150	150	1.2	TR 45BOC 6-6	2C TR 45BOC 6-6	3C TR 45BOC 6-6	
225	50	1.2	TR 45BOC 9-2	2C TR 45BOC 9-2	3C TR 45BOC 9-2	
225	75	1.2	TR 45BOC 9-3	2C TR 45BOC 9-3	3C TR 45BOC 9-3	
225	100	1.2	TR 45BOC 9-4	2C TR 45BOC 9-4	3C TR 45BOC 9-4	
225	150	1.2	TR 45BOC 9-6	2C TR 45BOC 9-6	3C TR 45BOC 9-6	
225	225	1.2	TR 45BOC 9-9	2C TR 45BOC 9-9	3C TR 45BOC 9-9	
300	50	1.2	TR 45BOC 12-2	2C TR 45BOC 12-2	3C TR 45BOC 12-2	
300	75	1.2	TR 45BOC 12-3	2C TR 45BOC 12-3	3C TR 45BOC 12-3	
300	100	1.2	TR 45BOC 12-4	2C TR 45BOC 12-4	3C TR 45BOC 12-4	
300	150	1.2	TR 45BOC 12-6	2C TR 45BOC 12-6	3C TR 45BOC 12-6	
300	225	1.2	TR 45BOC 12-9	2C TR 45BOC 12-9	3C TR 45BOC 12-9	
300	300	1.2	TR 45BOC 12-12	2C TR 45BOC 12-12	3C TR 45BOC 12-12	

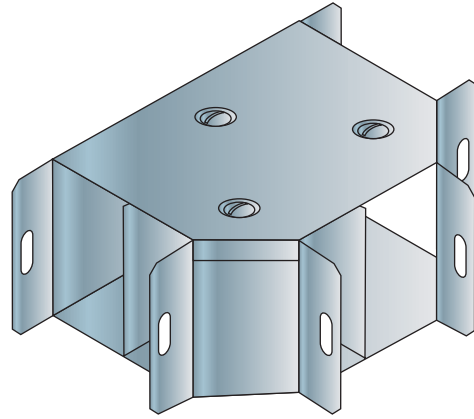
**Note:** Request for any special sizes, gauges and flanges can be attended by our qualified team.  
Please mention the corresponding thickness with the item code.



## TEE TOP COVER



SINGLE COMPARTMENT

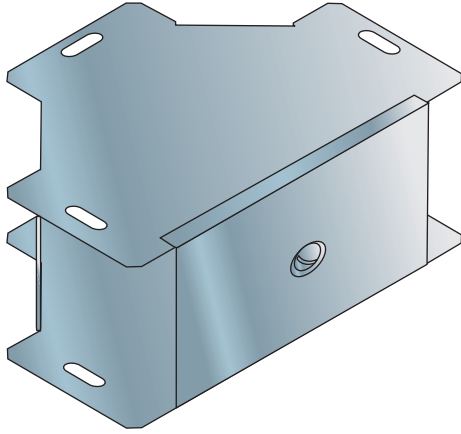


DOUBLE COMPARTMENT

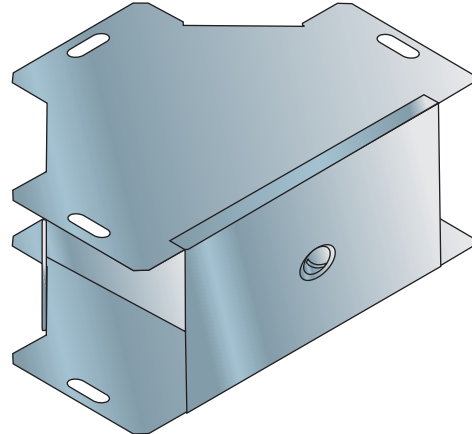
ORDER PATTERN (mm)						
SIZE			ITEM CODE			
WIDTH	HEIGHT	THK	SINGLE COMPARTMENT	DOUBLE COMPARTMENT	TRIPLE COMPARTMENT	
50	50	1.0	TR TTC 2-2	2C TR TTC 2-2	3C TR TTC 2-2	
75	50	1.0	TR TTC 3-2	2C TR TTC 3-2	3C TR TTC 3-2	
75	75	1.0	TR TTC 3-3	2C TR TTC 3-3	3C TR TTC 3-3	
100	50	1.0	TR TTC 4-2	2C TR TTC 4-2	3C TR TTC 4-2	
100	50	1.2	TR TTC 4-2	2C TR TTC 4-2	3C TR TTC 4-2	
100	75	1.0	TR TTC 4-3	2C TR TTC 4-3	3C TR TTC 4-3	
100	75	1.2	TR TTC 4-3	2C TR TTC 4-3	3C TR TTC 4-3	
100	100	1.0	TR TTC 4-4	2C TR TTC 4-4	3C TR TTC 4-4	
100	100	1.2	TR TTC 4-4	2C TR TTC 4-4	3C TR TTC 4-4	
150	50	1.0	TR TTC 6-2	2C TR TTC 6-2	3C TR TTC 6-2	
150	50	1.2	TR TTC 6-2	2C TR TTC 6-2	3C TR TTC 6-2	
150	75	1.0	TR TTC 6-3	2C TR TTC 6-3	3C TR TTC 6-3	
150	75	1.2	TR TTC 6-3	2C TR TTC 6-3	3C TR TTC 6-3	
150	100	1.0	TR TTC 6-4	2C TR TTC 6-4	3C TR TTC 6-4	
150	100	1.2	TR TTC 6-4	2C TR TTC 6-4	3C TR TTC 6-4	
150	150	1.0	TR TTC 6-6	2C TR TTC 6-6	3C TR TTC 6-6	
150	150	1.2	TR TTC 6-6	2C TR TTC 6-6	3C TR TTC 6-6	
225	50	1.2	TR TTC 9-2	2C TR TTC 9-2	3C TR TTC 9-2	
225	75	1.2	TR TTC 9-3	2C TR TTC 9-3	3C TR TTC 9-3	
225	100	1.2	TR TTC 9-4	2C TR TTC 9-4	3C TR TTC 9-4	
225	150	1.2	TR TTC 9-6	2C TR TTC 9-6	3C TR TTC 9-6	
225	225	1.2	TR TTC 9-9	2C TR TTC 9-9	3C TR TTC 9-9	
300	50	1.2	TR TTC 12-2	2C TR TTC 12-2	3C TR TTC 12-2	
300	75	1.2	TR TTC 12-3	2C TR TTC 12-3	3C TR TTC 12-3	
300	100	1.2	TR TTC 12-4	2C TR TTC 12-4	3C TR TTC 12-4	
300	150	1.2	TR TTC 12-6	2C TR TTC 12-6	3C TR TTC 12-6	
300	225	1.2	TR TTC 12-9	2C TR TTC 12-9	3C TR TTC 12-9	
300	300	1.2	TR TTC 12-12	2C TR TTC 12-12	3C TR TTC 12-12	

**Note:** Request for any special sizes, gauges and flanges can be attended by our qualified team.  
Please mention the corresponding thickness with the item code.

## TEE OUTSIDE COVER



SINGLE COMPARTMENT

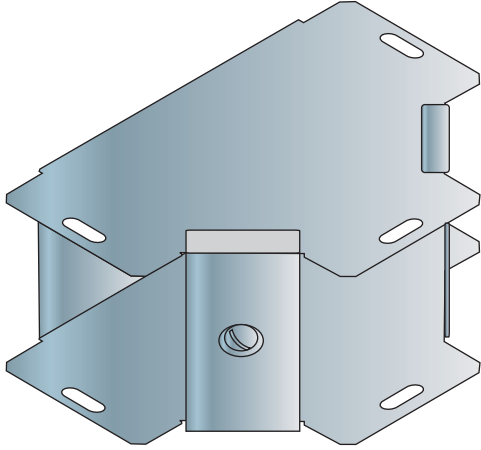


DOUBLE COMPARTMENT

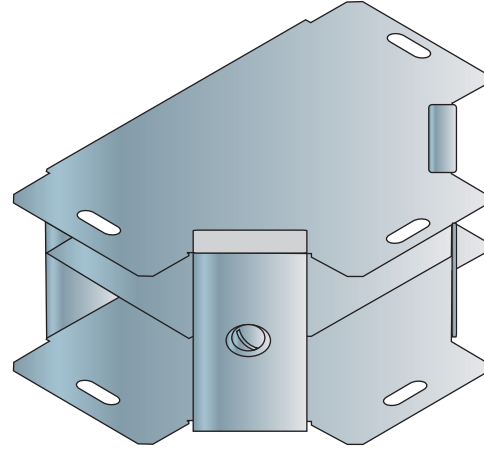
ORDER PATTERN (mm)					
SIZE			ITEM CODE		
WIDTH	HEIGHT	THK	SINGLE COMPARTMENT	DOUBLE COMPARTMENT	TRIPLE COMPARTMENT
50	50	1.0	TR TOC 2-2	2C TR TOC 2-2	3C TR TOC 2-2
75	50	1.0	TR TOC 3-2	2C TR TOC 3-2	3C TR TOC 3-2
75	75	1.0	TR TOC 3-3	2C TR TOC 3-3	3C TR TOC 3-3
100	50	1.0	TR TOC 4-2	2C TR TOC 4-2	3C TR TOC 4-2
100	50	1.2	TR TOC 4-2	2C TR TOC 4-2	3C TR TOC 4-2
100	75	1.0	TR TOC 4-3	2C TR TOC 4-3	3C TR TOC 4-3
100	75	1.2	TR TOC 4-3	2C TR TOC 4-3	3C TR TOC 4-3
100	100	1.0	TR TOC 4-4	2C TR TOC 4-4	3C TR TOC 4-4
100	100	1.2	TR TOC 4-4	2C TR TOC 4-4	3C TR TOC 4-4
150	50	1.0	TR TOC 6-2	2C TR TOC 6-2	3C TR TOC 6-2
150	50	1.2	TR TOC 6-2	2C TR TOC 6-2	3C TR TOC 6-2
150	75	1.0	TR TOC 6-3	2C TR TOC 6-3	3C TR TOC 6-3
150	75	1.2	TR TOC 6-3	2C TR TOC 6-3	3C TR TOC 6-3
150	100	1.0	TR TOC 6-4	2C TR TOC 6-4	3C TR TOC 6-4
150	100	1.2	TR TOC 6-4	2C TR TOC 6-4	3C TR TOC 6-4
150	150	1.0	TR TOC 6-6	2C TR TOC 6-6	3C TR TOC 6-6
150	150	1.2	TR TOC 6-6	2C TR TOC 6-6	3C TR TOC 6-6
225	50	1.2	TR TOC 9-2	2C TR TOC 9-2	3C TR TOC 9-2
225	75	1.2	TR TOC 9-3	2C TR TOC 9-3	3C TR TOC 9-3
225	100	1.2	TR TOC 9-4	2C TR TOC 9-4	3C TR TOC 9-4
225	150	1.2	TR TOC 9-6	2C TR TOC 9-6	3C TR TOC 9-6
225	225	1.2	TR TOC 9-9	2C TR TOC 9-9	3C TR TOC 9-9
300	50	1.2	TR TOC 12-2	2C TR TOC 12-2	3C TR TOC 12-2
300	75	1.2	TR TOC 12-3	2C TR TOC 12-3	3C TR TOC 12-3
300	100	1.2	TR TOC 12-4	2C TR TOC 12-4	3C TR TOC 12-4
300	150	1.2	TR TOC 12-6	2C TR TOC 12-6	3C TR TOC 12-6
300	225	1.2	TR TOC 12-9	2C TR TOC 12-9	3C TR TOC 12-9
300	300	1.2	TR TOC 12-12	2C TR TOC 12-12	3C TR TOC 12-12

**Note:** Request for any special sizes, gauges and flanges can be attended by our qualified team.  
Please mention the corresponding thickness with the item code.

## TEE INSIDE COVER



SINGLE COMPARTMENT

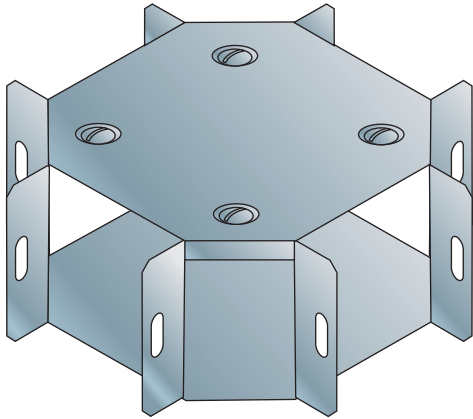


DOUBLE COMPARTMENT

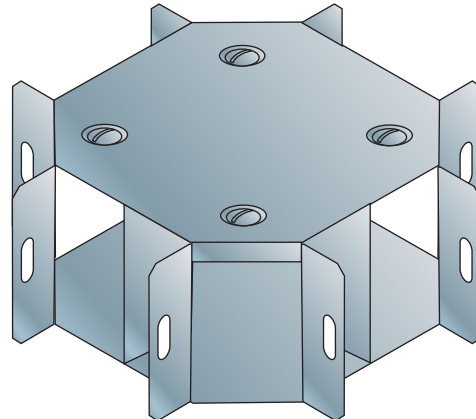
SIZE			ORDER PATTERN (mm)		
WIDTH	HEIGHT	THK	ITEM CODE		
			SINGLE COMPARTMENT	DOUBLE COMPARTMENT	TRIPLE COMPARTMENT
50	50	1.0	TR TIC 2-2	2C TR TIC 2-2	3C TR TIC 2-2
75	50	1.0	TR TIC 3-2	2C TR TIC 3-2	3C TR TIC 3-2
75	75	1.0	TR TIC 3-3	2C TR TIC 3-3	3C TR TIC 3-3
100	50	1.0	TR TIC 4-2	2C TR TIC 4-2	3C TR TIC 4-2
100	50	1.2	TR TIC 4-2	2C TR TIC 4-2	3C TR TIC 4-2
100	75	1.0	TR TIC 4-3	2C TR TIC 4-3	3C TR TIC 4-3
100	75	1.2	TR TIC 4-3	2C TR TIC 4-3	3C TR TIC 4-3
100	100	1.0	TR TIC 4-4	2C TR TIC 4-4	3C TR TIC 4-4
100	100	1.2	TR TIC 4-4	2C TR TIC 4-4	3C TR TIC 4-4
150	50	1.0	TR TIC 6-2	2C TR TIC 6-2	3C TR TIC 6-2
150	50	1.2	TR TIC 6-2	2C TR TIC 6-2	3C TR TIC 6-2
150	75	1.0	TR TIC 6-3	2C TR TIC 6-3	3C TR TIC 6-3
150	75	1.2	TR TIC 6-3	2C TR TIC 6-3	3C TR TIC 6-3
150	100	1.0	TR TIC 6-4	2C TR TIC 6-4	3C TR TIC 6-4
150	100	1.2	TR TIC 6-4	2C TR TIC 6-4	3C TR TIC 6-4
150	150	1.0	TR TIC 6-6	2C TR TIC 6-6	3C TR TIC 6-6
150	150	1.2	TR TIC 6-6	2C TR TIC 6-6	3C TR TIC 6-6
225	50	1.2	TR TIC 9-2	2C TR TIC 9-2	3C TR TIC 9-2
225	75	1.2	TR TIC 9-3	2C TR TIC 9-3	3C TR TIC 9-3
225	100	1.2	TR TIC 9-4	2C TR TIC 9-4	3C TR TIC 9-4
225	150	1.2	TR TIC 9-6	2C TR TIC 9-6	3C TR TIC 9-6
225	225	1.2	TR TIC 9-9	2C TR TIC 9-9	3C TR TIC 9-9
300	50	1.2	TR TIC 12-2	2C TR TIC 12-2	3C TR TIC 12-2
300	75	1.2	TR TIC 12-3	2C TR TIC 12-3	3C TR TIC 12-3
300	100	1.2	TR TIC 12-4	2C TR TIC 12-4	3C TR TIC 12-4
300	150	1.2	TR TIC 12-6	2C TR TIC 12-6	3C TR TIC 12-6
300	225	1.2	TR TIC 12-9	2C TR TIC 12-9	3C TR TIC 12-9
300	300	1.2	TR TIC 12-12	2C TR TIC 12-12	3C TR TIC 12-12

**Note:** Request for any special sizes, gauges and flanges can be attended by our qualified team.  
Please mention the corresponding thickness with the item code.

## CROSS TOP COVER



SINGLE COMPARTMENT

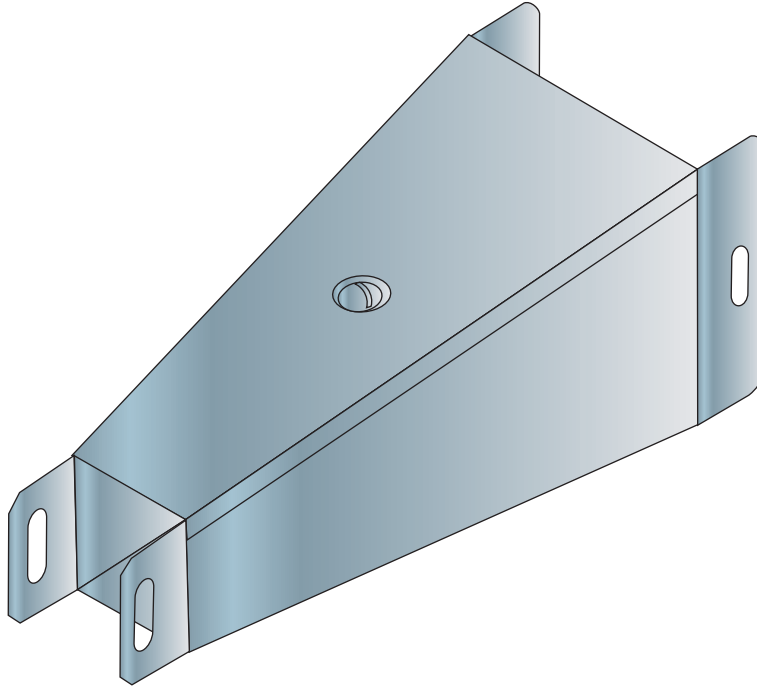


DOUBLE COMPARTMENT

ORDER PATTERN (mm)						
SIZE			ITEM CODE			
WIDTH	HEIGHT	THK	SINGLE COMPARTMENT	DOUBLE COMPARTMENT	TRIPLE COMPARTMENT	
50	50	1.0	TR CTC 2-2	2C TR CTC 2-2	3C TR CTC 2-2	
75	50	1.0	TR CTC 3-2	2C TR CTC 3-2	3C TR CTC 3-2	
75	75	1.0	TR CTC 3-3	2C TR CTC 3-3	3C TR CTC 3-3	
100	50	1.0	TR CTC 4-2	2C TR CTC 4-2	3C TR CTC 4-2	
100	50	1.2	TR CTC 4-2	2C TR CTC 4-2	3C TR CTC 4-2	
100	75	1.0	TR CTC 4-3	2C TR CTC 4-3	3C TR CTC 4-3	
100	75	1.2	TR CTC 4-3	2C TR CTC 4-3	3C TR CTC 4-3	
100	100	1.0	TR CTC 4-4	2C TR CTC 4-4	3C TR CTC 4-4	
100	100	1.2	TR CTC 4-4	2C TR CTC 4-4	3C TR CTC 4-4	
150	50	1.0	TR CTC 6-2	2C TR CTC 6-2	3C TR CTC 6-2	
150	50	1.2	TR CTC 6-2	2C TR CTC 6-2	3C TR CTC 6-2	
150	75	1.0	TR CTC 6-3	2C TR CTC 6-3	3C TR CTC 6-3	
150	75	1.2	TR CTC 6-3	2C TR CTC 6-3	3C TR CTC 6-3	
150	100	1.0	TR CTC 6-4	2C TR CTC 6-4	3C TR CTC 6-4	
150	100	1.2	TR CTC 6-4	2C TR CTC 6-4	3C TR CTC 6-4	
150	150	1.0	TR CTC 6-6	2C TR CTC 6-6	3C TR CTC 6-6	
150	150	1.2	TR CTC 6-6	2C TR CTC 6-6	3C TR CTC 6-6	
225	50	1.2	TR CTC 9-2	2C TR CTC 9-2	3C TR CTC 9-2	
225	75	1.2	TR CTC 9-3	2C TR CTC 9-3	3C TR CTC 9-3	
225	100	1.2	TR CTC 9-4	2C TR CTC 9-4	3C TR CTC 9-4	
225	150	1.2	TR CTC 9-6	2C TR CTC 9-6	3C TR CTC 9-6	
225	225	1.2	TR CTC 9-9	2C TR CTC 9-9	3C TR CTC 9-9	
300	50	1.2	TR CTC 12-2	2C TR CTC 12-2	3C TR CTC 12-2	
300	75	1.2	TR CTC 12-3	2C TR CTC 12-3	3C TR CTC 12-3	
300	100	1.2	TR CTC 12-4	2C TR CTC 12-4	3C TR CTC 12-4	
300	150	1.2	TR CTC 12-6	2C TR CTC 12-6	3C TR CTC 12-6	
300	225	1.2	TR CTC 12-9	2C TR CTC 12-9	3C TR CTC 12-9	
300	300	1.2	TR CTC 12-12	2C TR CTC 12-12	3C TR CTC 12-12	

**Note:** Request for any special sizes, gauges and flanges can be attended by our qualified team.  
Please mention the corresponding thickness with the item code.

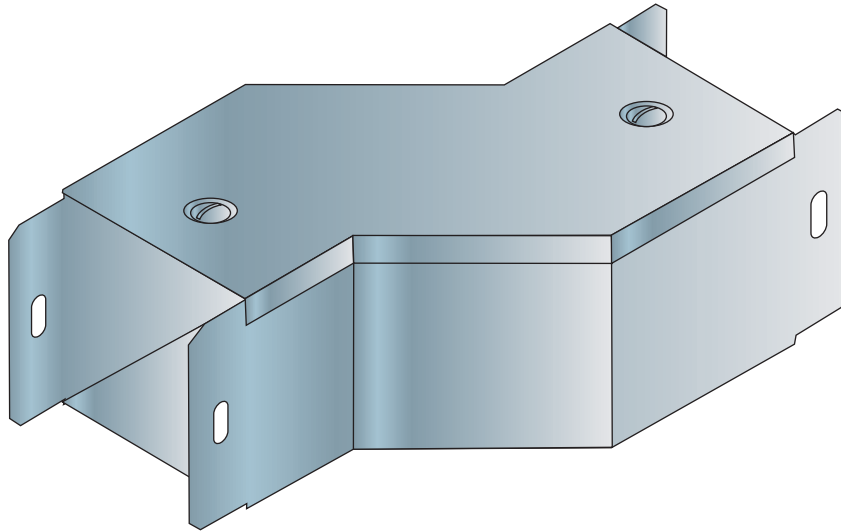
## REDUCER



ORDER PATTERN (mm)					
REDUCING SIZE			ITEM CODE		
FROM - W1	TO - W2	THK	SINGLE COMPARTMENT	DOUBLE COMPARTMENT	TRIPLE COMPARTMENT
75x50	50x50	1.0	TRRW1-W2	2CTR RW1-W2	3CTR RW1-W2
75x75	50x50	1.0	TRRW1-W2	2CTR RW1-W2	3CTR RW1-W2
100x50	50x50	1.0	TRRW1-W2	2CTR RW1-W2	3CTR RW1-W2
100x75	50x50	1.0	TRRW1-W2	2CTR RW1-W2	3CTR RW1-W2
100x100	100x75	1.0	TRRW1-W2	2CTR RW1-W2	3CTR RW1-W2
150x50	100x50	1.0	TRRW1-W2	2CTR RW1-W2	3CTR RW1-W2
150x75	100x50	1.0	TRRW1-W2	2CTR RW1-W2	3CTR RW1-W2
150x100	100x100	1.0	TRRW1-W2	2CTR RW1-W2	3CTR RW1-W2
150x150	150x50	1.0	TRRW1-W2	2CTR RW1-W2	3CTR RW1-W2
150x150	150x75	1.0	TRRW1-W2	2CTR RW1-W2	3CTR RW1-W2
150x150	150x100	1.0	TRRW1-W2	2CTR RW1-W2	3CTR RW1-W2
150x150	100x100	1.0	TRRW1-W2	2CTR RW1-W2	3CTR RW1-W2

**Note:** Request for any special sizes, gauges and flanges can be attended by our qualified team.  
Please mention the corresponding thickness with the item code.

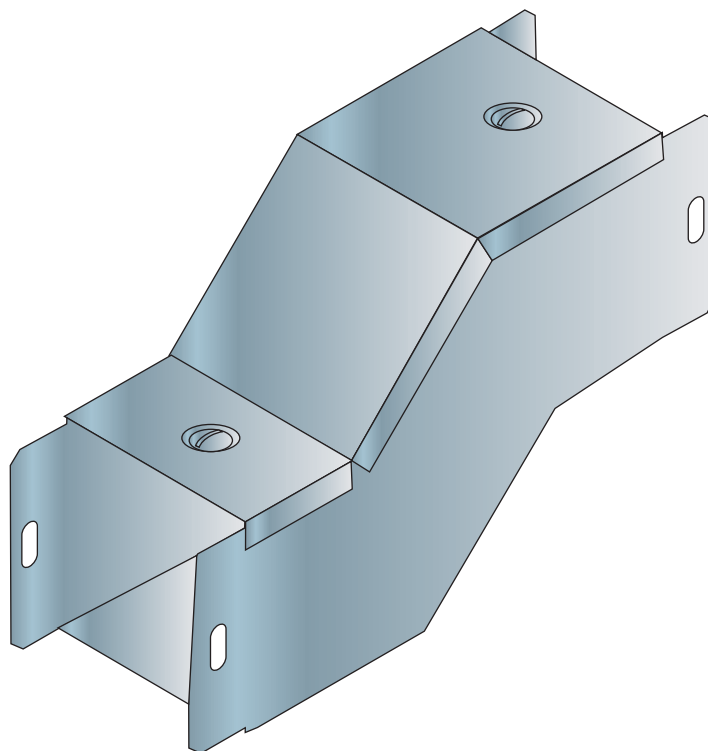
## OFFSET HORIZONTAL



ORDER PATTERN (mm)						
SIZE			ITEM CODE			
WIDTH	HEIGHT	THK	SINGLE COMPARTMENT	DOUBLE COMPARTMENT	TRIPLE COMPARTMENT	
50	50	1.2	TR OSH 2-2	2C TR OSH 2-2	3C TR OSH 2-2	
75	50	1.2	TR OSH 3-2	2C TR OSH 3-2	3C TR OSH 3-2	
75	75	1.2	TR OSH 3-3	2C TR OSH 3-3	3C TR OSH 3-3	
100	50	1.2	TR OSH 4-2	2C TR OSH 4-2	3C TR OSH 4-2	
100	75	1.2	TR OSH 4-3	2C TR OSH 4-3	3C TR OSH 4-3	
100	100	1.2	TR OSH 4-4	2C TR OSH 4-4	3C TR OSH 4-4	
150	50	1.2	TR OSH 6-2	2C TR OSH 6-2	3C TR OSH 6-2	
150	75	1.2	TR OSH 6-3	2C TR OSH 6-3	3C TR OSH 6-3	
150	100	1.2	TR OSH 6-4	2C TR OSH 6-4	3C TR OSH 6-4	
150	150	1.2	TR OSH 6-6	2C TR OSH 6-6	3C TR OSH 6-6	
225	50	1.5	TR OSH 9-2	2C TR OSH 9-2	3C TR OSH 9-2	
225	75	1.5	TR OSH 9-3	2C TR OSH 9-3	3C TR OSH 9-3	
225	100	1.5	TR OSH 9-4	2C TR OSH 9-4	3C TR OSH 9-4	
225	150	1.5	TR OSH 9-6	2C TR OSH 9-6	3C TR OSH 9-6	
225	225	1.5	TR OSH 9-9	2C TR OSH 9-9	3C TR OSH 9-9	
300	50	1.5	TR OSH 12-2	2C TR OSH 12-2	3C TR OSH 12-2	
300	75	1.5	TR OSH 12-3	2C TR OSH 12-3	3C TR OSH 12-3	
300	100	1.5	TR OSH 12-4	2C TR OSH 12-4	3C TR OSH 12-4	
300	150	1.5	TR OSH 12-6	2C TR OSH 12-6	3C TR OSH 12-6	
300	225	1.5	TR OSH 12-9	2C TR OSH 12-9	3C TR OSH 12-9	
300	300	1.5	TR OSH 12-12	2C TR OSH 12-12	3C TR OSH 12-12	

**Note:** Request for any special sizes, gauges and flanges can be attended by our qualified team.  
Please mention the corresponding thickness with the item code.

## OFFSET VERTICAL

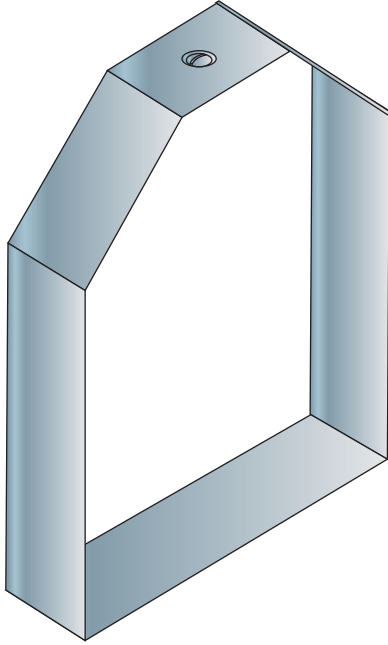


ORDER PATTERN (mm)						
SIZE			ITEM CODE			
WIDTH	HEIGHT	THK	SINGLE COMPARTMENT	DOUBLE COMPARTMENT	TRIPLE COMPARTMENT	
50	50	1.2	TR OSV 2-2	2C TR OSV 2-2	3C TR OSV 2-2	
75	50	1.2	TR OSV 3-2	2C TR OSV 3-2	3C TR OSV 3-2	
75	75	1.2	TR OSV 3-3	2C TR OSV 3-3	3C TR OSV 3-3	
100	50	1.2	TR OSV 4-2	2C TR OSV 4-2	3C TR OSV 4-2	
100	75	1.2	TR OSV 4-3	2C TR OSV 4-3	3C TR OSV 4-3	
100	100	1.2	TR OSV 4-4	2C TR OSV 4-4	3C TR OSV 4-4	
150	50	1.2	TR OSV 6-2	2C TR OSV 6-2	3C TR OSV 6-2	
150	75	1.2	TR OSV 6-3	2C TR OSV 6-3	3C TR OSV 6-3	
150	100	1.2	TR OSV 6-4	2C TR OSV 6-4	3C TR OSV 6-4	
150	150	1.2	TR OSV 6-6	2C TR OSV 6-6	3C TR OSV 6-6	
225	50	1.5	TR OSV 9-2	2C TR OSV 9-2	3C TR OSV 9-2	
225	75	1.5	TR OSV 9-3	2C TR OSV 9-3	3C TR OSV 9-3	
225	100	1.5	TR OSV 9-4	2C TR OSV 9-4	3C TR OSV 9-4	
225	150	1.5	TR OSV 9-6	2C TR OSV 9-6	3C TR OSV 9-6	
225	225	1.5	TR OSV 9-9	2C TR OSV 9-9	3C TR OSV 9-9	
300	50	1.5	TR OSV 12-2	2C TR OSV 12-2	3C TR OSV 12-2	
300	75	1.5	TR OSV 12-3	2C TR OSV 12-3	3C TR OSV 12-3	
300	100	1.5	TR OSV 12-4	2C TR OSV 12-4	3C TR OSV 12-4	
300	150	1.5	TR OSV 12-6	2C TR OSV 12-6	3C TR OSV 12-6	
300	225	1.5	TR OSV 12-9	2C TR OSV 12-9	3C TR OSV 12-9	
300	300	1.5	TR OSV 12-12	2C TR OSV 12-12	3C TR OSV 12-12	

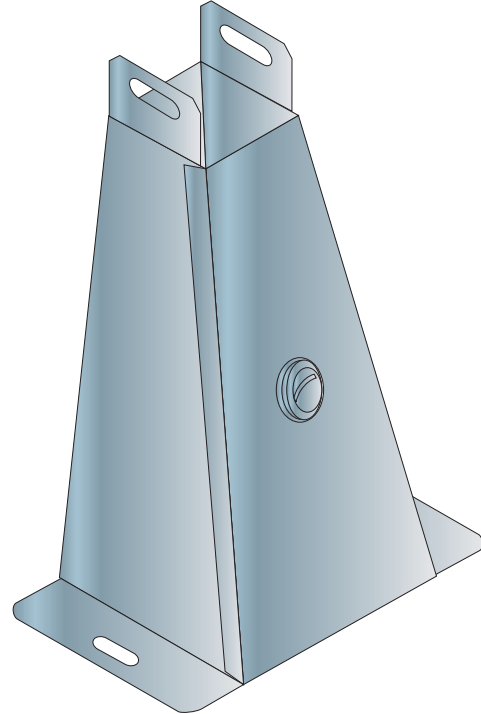
**Note:** Request for any special sizes, gauges and flanges can be attended by our qualified team.  
Please mention the corresponding thickness with the item code.

# CABLE TRUNKINGS

## TRUNKING HANGER



## PLYMOUTH



ORDER PATTERN (mm)			
SIZE			ITEM CODE
WIDTH	HEIGHT	THK	
50	50	1.2	TR H 2-2
75	50	1.2	TR H 3-2
75	75	1.2	TR H 3-3
100	50	1.2	TR H 4-2
100	75	1.2	TR H 4-3
100	100	1.2	TR H 4-4
150	50	1.2	TR H 6-2
150	75	1.2	TR H 6-3
150	100	1.2	TR H 6-4
150	150	1.2	TR H 6-6
225	50	1.5	TR H 9-2
225	75	1.5	TR H 9-3
225	100	1.5	TR H 9-4
225	150	1.5	TR H 9-6
225	225	1.5	TR H 9-9
300	50	1.5	TR H 12-2
300	75	1.5	TR H 12-3
300	100	1.5	TR H 12-4
300	150	1.5	TR H 12-6
300	225	1.5	TR H 12-9
300	300	1.5	TR H 12-12

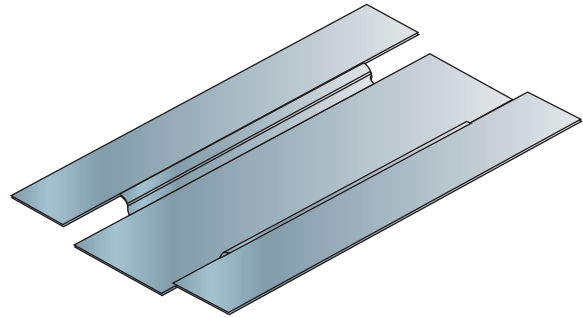
ORDER PATTERN (mm)			
SIZE			ITEM CODE
WIDTH	HEIGHT	THK	
50	50	1.2	TR PM 2-2
75	50	1.2	TR PM 3-2
75	75	1.2	TR PM 3-3
100	50	1.2	TR PM 4-2
100	75	1.2	TR PM 4-3
100	100	1.2	TR PM 4-4
150	50	1.2	TR PM 6-2
150	75	1.2	TR PM 6-3
150	100	1.2	TR PM 6-4
150	150	1.2	TR PM 6-6
225	50	1.5	TR PM 9-2
225	75	1.5	TR PM 9-3
225	100	1.5	TR PM 9-4
225	150	1.5	TR PM 9-6
225	225	1.5	TR PM 9-9
300	50	1.5	TR PM 12-2
300	75	1.5	TR PM 12-3
300	100	1.5	TR PM 12-4
300	150	1.5	TR PM 12-6
300	225	1.5	TR PM 12-9
300	300	1.5	TR PM 12-12

**Note:** Request for any special sizes, gauges and flanges can be attended by our qualified team.  
Please mention the corresponding thickness with the item code.



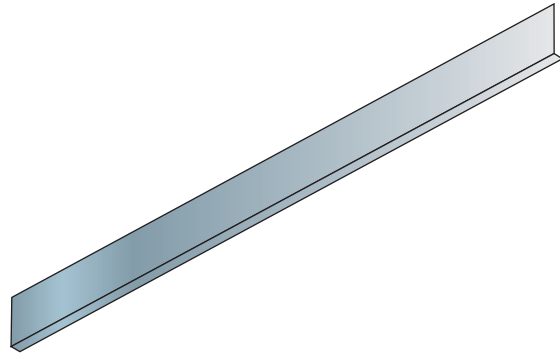
## CABLE RETAINER

ORDER PATTERN (mm)	
SIZE	ITEM CODE
HEIGHT	
50	TR CR 2
75	TR CR 3
100	TR CR 4
150	TR CR 6
200	TR CR 8
225	TR CR 9
300	TR CR 12

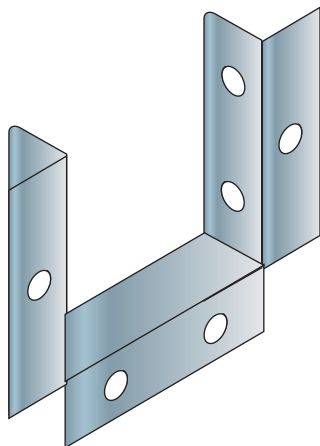


## CABLE SEPARATOR

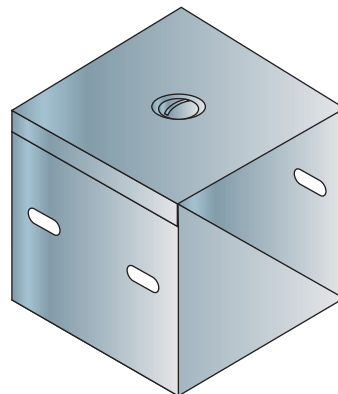
ORDER PATTERN (mm)	
SIZE	ITEM CODE
HEIGHT	
50	TR CS 2
75	TR CS 3
100	TR CS 4
150	TR CS 6
200	TR CS 8
225	TR CS 9
300	TR CS 12



## FLANGE CONNECTOR



## FITTING ADAPTOR

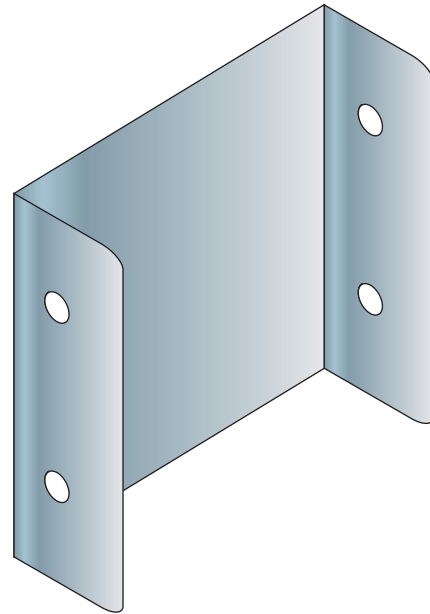


Mention the trunking size for suitable Flange Connector and Fitting Adaptor.

**Note:** Request for any special sizes, gauges and flanges can be attended by our qualified team.  
Please mention the corresponding thickness with the item code.

## BLIND END

ORDER PATTERN (mm)			
SIZE			ITEM CODE
WIDTH	HEIGHT	THK	
50	50	1.2	TR BE 2-2
75	50	1.2	TR BE 3-2
75	75	1.2	TR BE 3-3
100	50	1.2	TR BE 4-2
100	75	1.2	TR BE 4-3
100	100	1.2	TR BE 4-4
150	50	1.2	TR BE 6-2
150	75	1.2	TR BE 6-3
150	100	1.2	TR BE 6-4
150	150	1.2	TR BE 6-6
225	50	1.5	TR BE 9-2
225	75	1.5	TR BE 9-3
225	100	1.5	TR BE 9-4
225	150	1.5	TR BE 9-6
225	225	1.5	TR BE 9-9
300	50	1.5	TR BE 12-2
300	75	1.5	TR BE 12-3
300	100	1.5	TR BE 12-4
300	150	1.5	TR BE 12-6
300	225	1.5	TR BE 12-9
300	300	1.5	TR BE 12-12



**Note:** Request for any special sizes, gauges and flanges can be attended by our qualified team.  
Please mention the corresponding thickness with the item code.