

WIRE BASKET

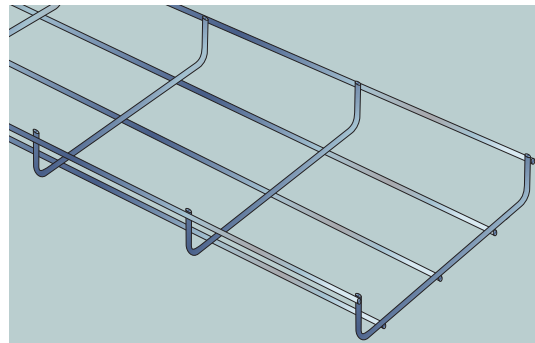
An economical cable management solution offering a higher load capacity with a cost effective method of installation.

STANDARD FINISHES

- HDG Hot Dip Galvanized to BSEN ISO 1461:1999 (Formerly BS 729).
- PG Pre Galvanized to BSEN 10142 & 10143.
- PC Powder Coating to suit client requirements.
- SS Stainless Steel finish to required grades.

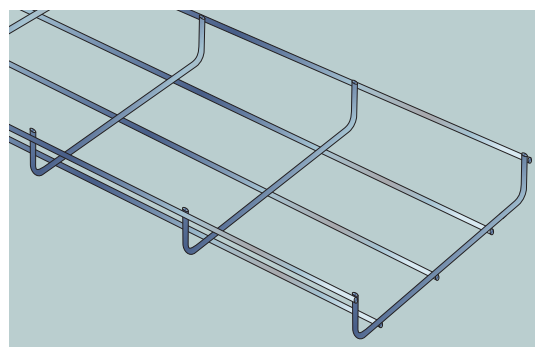
ORDER PATTERN (mm)

TYPE	WIDTH	HEIGHT	FINISH
WB	50	25	FINISH
WB	75	25	FINISH
WB	100	25	FINISH
WB	150	25	FINISH
WB	200	25	FINISH
WB	225	25	FINISH
WB	250	25	FINISH
WB	300	25	FINISH
WB	400	25	FINISH
WB	450	25	FINISH
WB	500	25	FINISH
WB	600	25	FINISH



ORDER PATTERN (mm)

TYPE	WIDTH	HEIGHT	FINISH
WB	50	50	FINISH
WB	75	50	FINISH
WB	100	50	FINISH
WB	150	50	FINISH
WB	200	50	FINISH
WB	225	50	FINISH
WB	250	50	FINISH
WB	300	50	FINISH
WB	400	50	FINISH
WB	450	50	FINISH
WB	500	50	FINISH
WB	600	50	FINISH

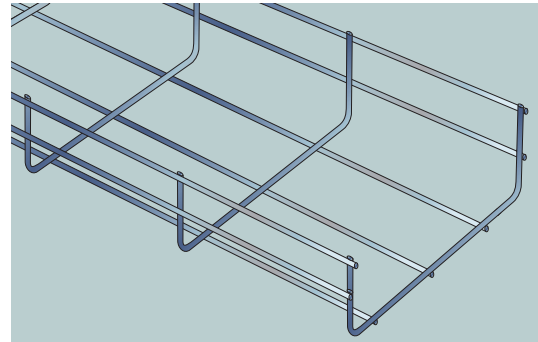


Note: All accessories for wire basket cable trays are fabricated on site.

WIRE MESH CABLE TRAYS

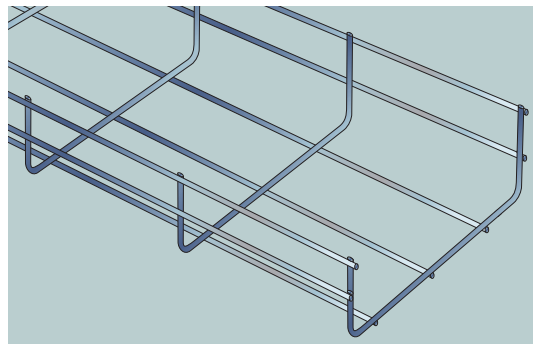
ORDER PATTERN (mm)

TYPE	WIDTH	HEIGHT	FINISH
WB	75	75	FINISH
WB	100	75	FINISH
WB	150	75	FINISH
WB	200	75	FINISH
WB	225	75	FINISH
WB	250	75	FINISH
WB	300	75	FINISH
WB	400	75	FINISH
WB	450	75	FINISH
WB	500	75	FINISH
WB	600	75	FINISH

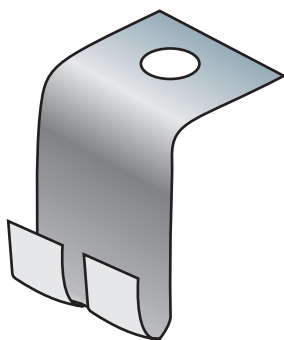


ORDER PATTERN (mm)

TYPE	WIDTH	HEIGHT	FINISH
WB	100	100	FINISH
WB	150	100	FINISH
WB	200	100	FINISH
WB	225	100	FINISH
WB	250	100	FINISH
WB	300	100	FINISH
WB	400	100	FINISH
WB	450	100	FINISH
WB	500	100	FINISH
WB	600	100	FINISH

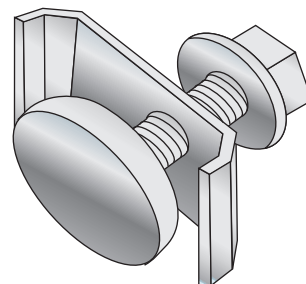


HOLD ON CLAMP



ITEM CODE - WBC

JOINING PIECE



ITEM CODE - WBJ

Note: All accessories for wire basket cable trays are fabricated on site.